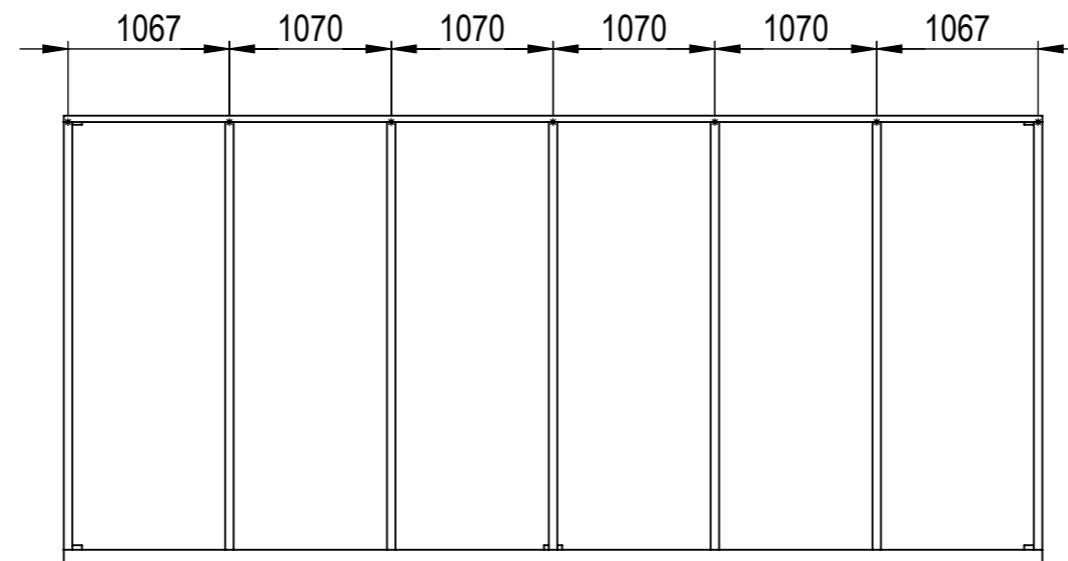
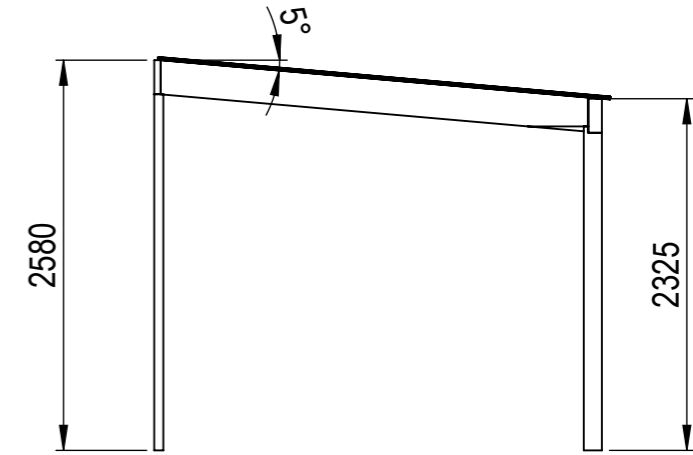
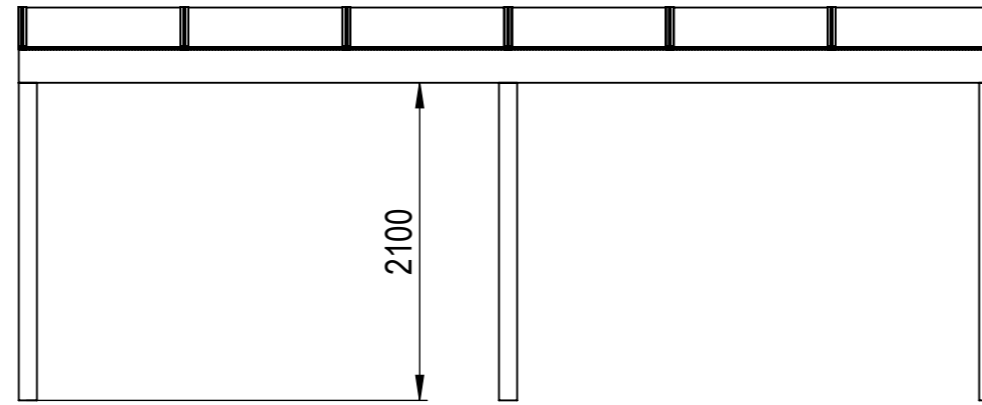
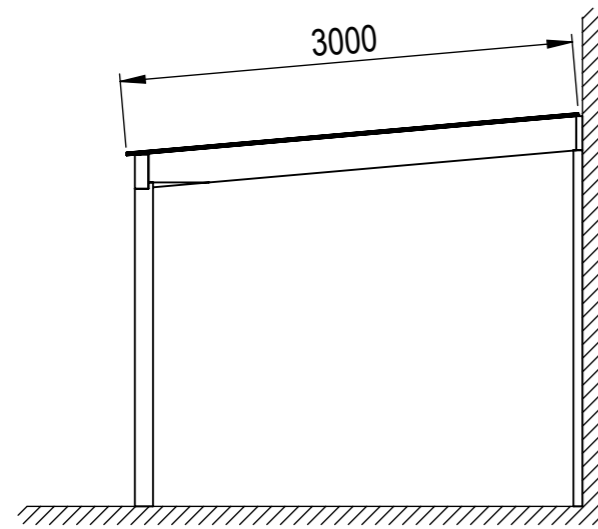


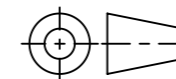
| Nr. | Antal | Beskrivning | Kategori | Längd |
|-----|-------|-------------|---------------|----------|
| 1 | 1 | 42x225 | Väggbalk | 6470 |
| 2 | 1 | 225x90 | Frontbalk | 6470 |
| 3 | 2 | 60x120 | Väggpelare | 2355 |
| 4 | 5 | 56x225 | Takbalk | 2858.44 |
| 5 | 3 | 120x120 | Pelare | 2142 |
| 6 | 2 | 56x225 | Takbalk gavel | 2855.394 |

This drawing must not be copied, transmitted or disclosed to any third party.

| | | |
|-----------|------------|-------------------------------|
| | Material | |
| | Offertnr. | Färg |
| | Ordernr. | Beredare |
| | Weight | Datum 2022-02-08 |
| A3 | Scale 1:50 | Description Stomme B6,5 D3 |
| | Sheet 1/9 | |



This drawing must not be copied, transmitted or disclosed to any third party.



A3

| | |
|------------|-------------------------------|
| Material | |
| Offertnr. | Färg |
| Ordernr. | Beredare |
| Weight | Datum 2022-02-08 |
| Scale 1:50 | Description Stomme B6,5 D3 |
| Sheet 2/9 | |