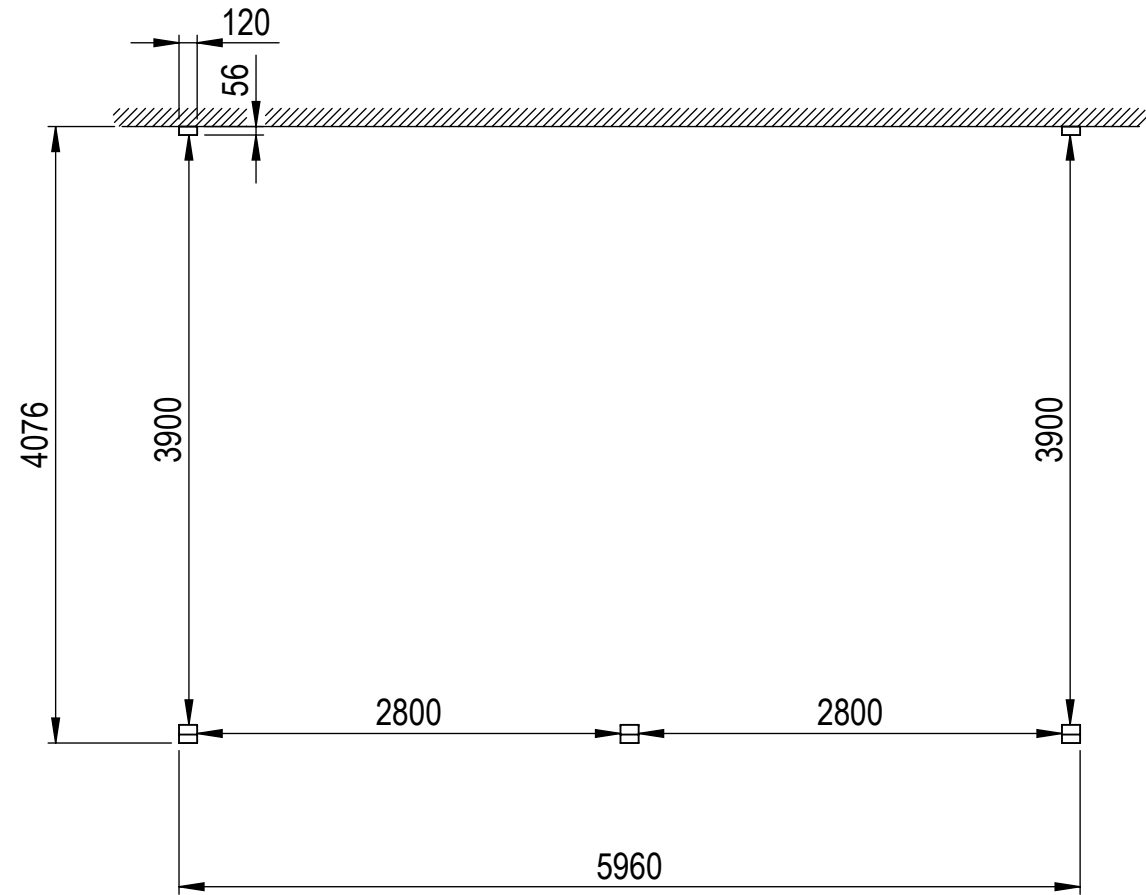
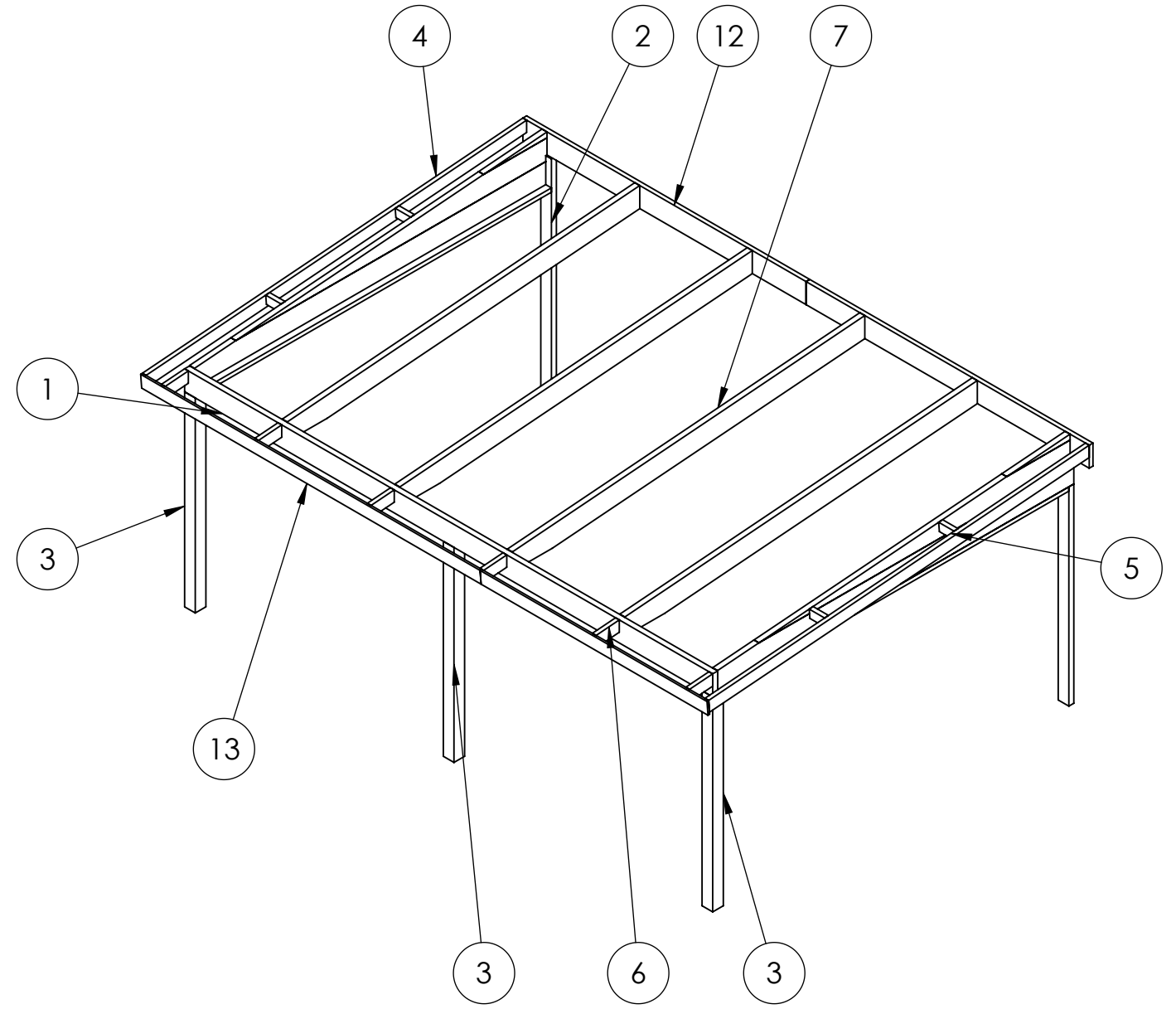

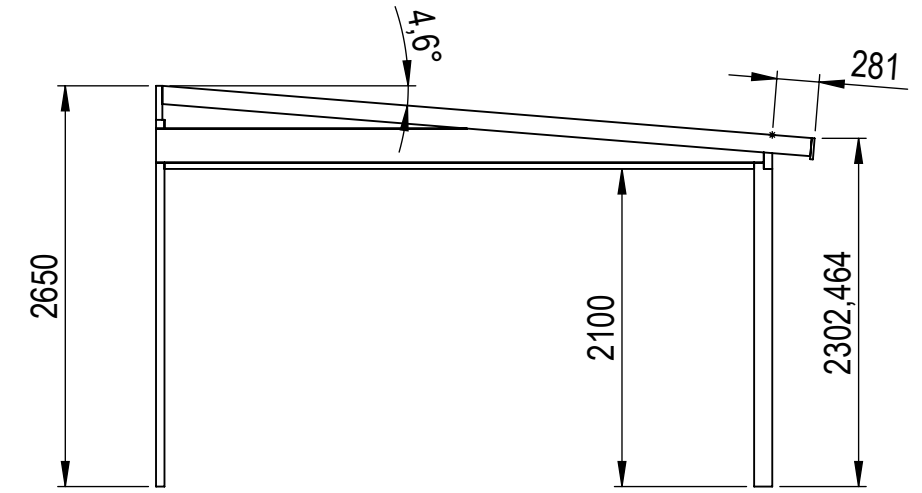
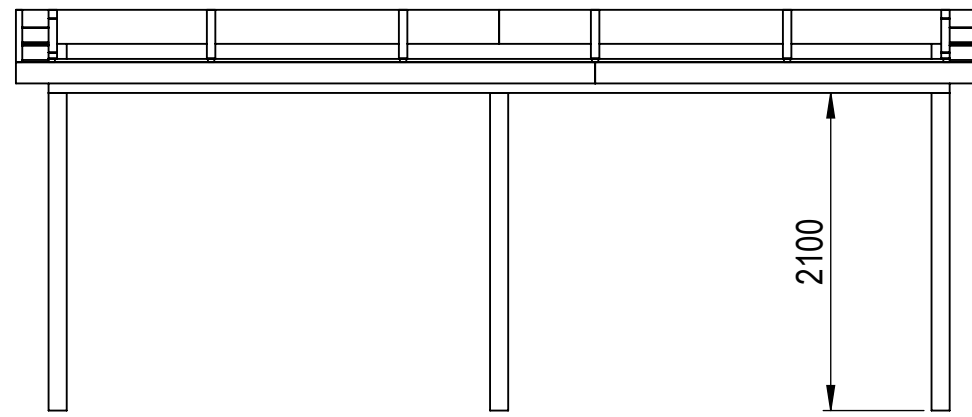
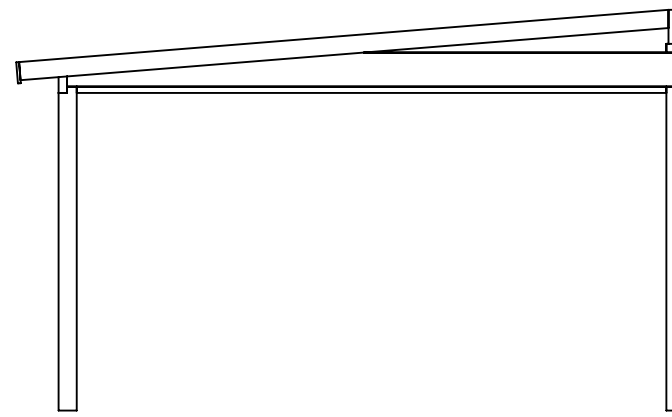


| Nr. | Antal | Beskrivning | Kategori | Längd |
|-----|-------|-------------|-----------------|----------|
| 1 | 1 | 225x56 | Frontbalk | 5960 |
| 2 | 2 | 120x56 | Väggpelare | 2424.568 |
| 3 | 3 | 120x120 | Hörnpelare | 2142 |
| 4 | 2 | 120x42 | Gavelbalk | 4309.036 |
| 5 | 4 | 95x44 | Gavelstöd | 174 |
| 6 | 6 | 120x42 | Taktass | 262 |
| 7 | 4 | 225x56 | Takbalk | 4006.053 |
| 8 | 2 | 32x40 | Breddsats front | 2800 |
| 9 | 2 | 56x225 | Sidobalk | 4020 |
| 10 | 2 | 56x225 | Täckt sida | 3511.989 |
| 11 | 2 | 120x42 | Breddsats | 3900 |
| 12 | 2 | 225x42 | Väggbalk | 3196 |
| 13 | 1 | 19x140 | Takfotsbräda 1 | 3831 |
| 14 | 1 | 19x140 | Takfotsbräda 2 | 2561 |
| 15 | 2 | 56x225 | täckt sida 2 | 715.502 |

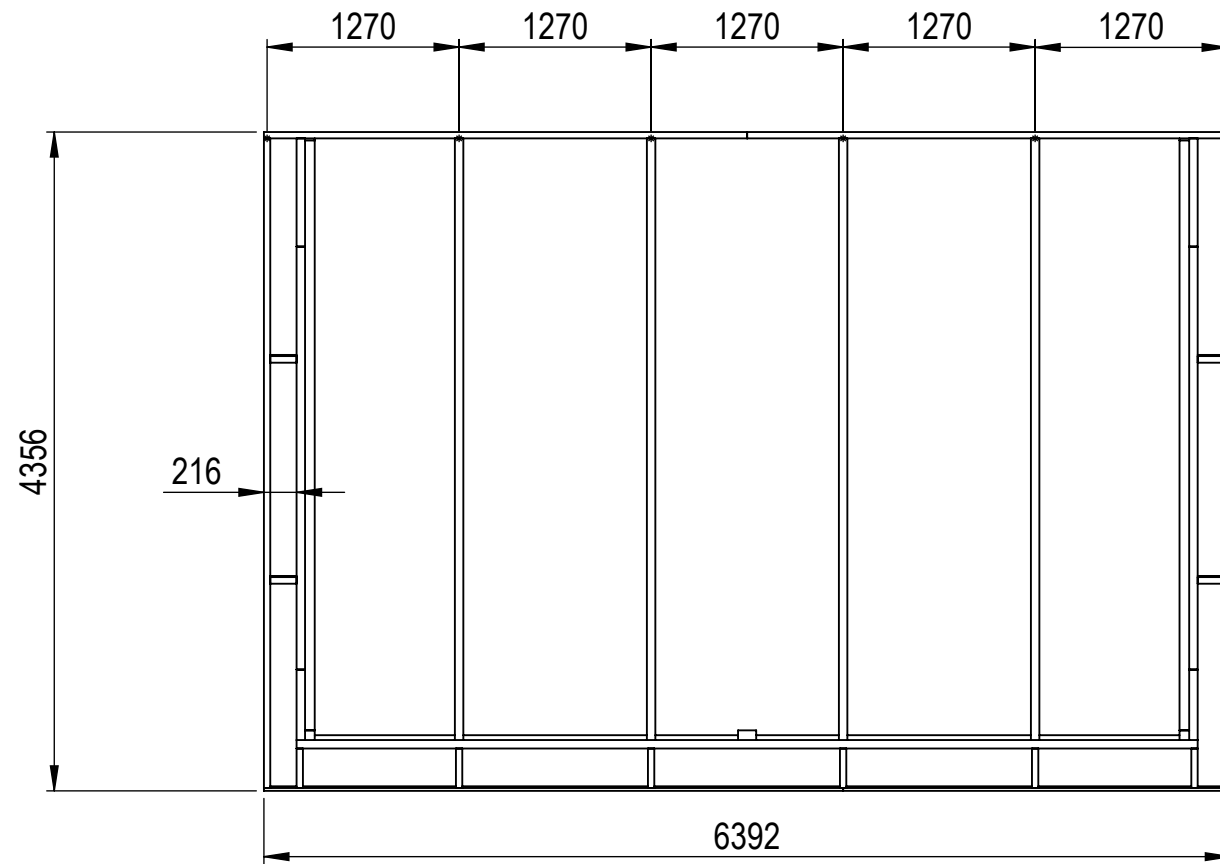


This drawing must not be copied, transmitted or disclosed to any third party.

| | | |
|-------------------------------------------------------------------------------------------------|------------|------------------------------------|
| HALLE | Material | |
| | Offertnr. | Färg |
|  A3 | Ordernr. | Beredare Halle System |
| | Weight | Datum 2022-05-19 |
| | Scale 1:50 | Description Harmony Alltid 25m2 |
| | Sheet 1/20 | |

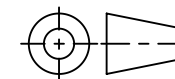


Måtten anger stommens höjd



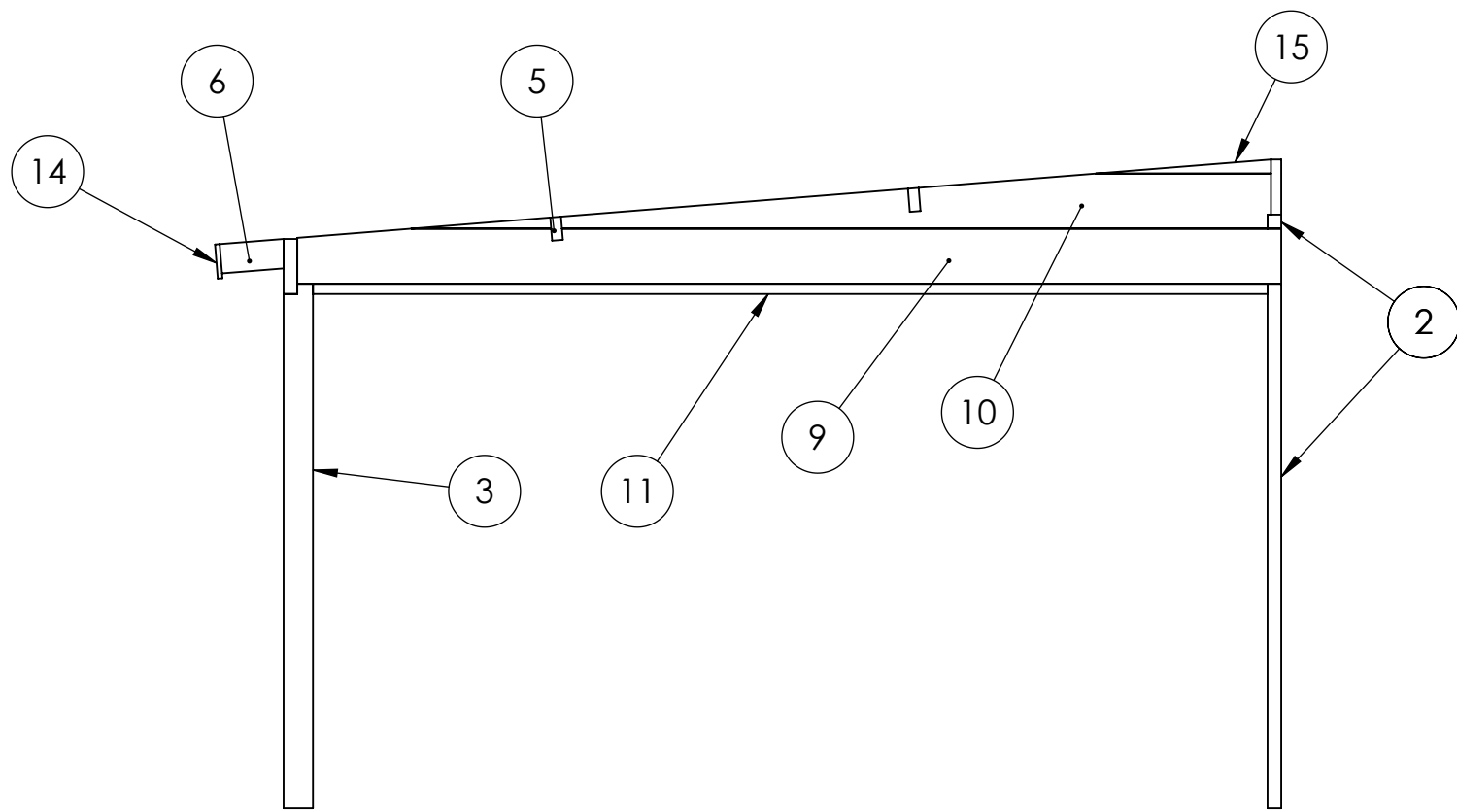
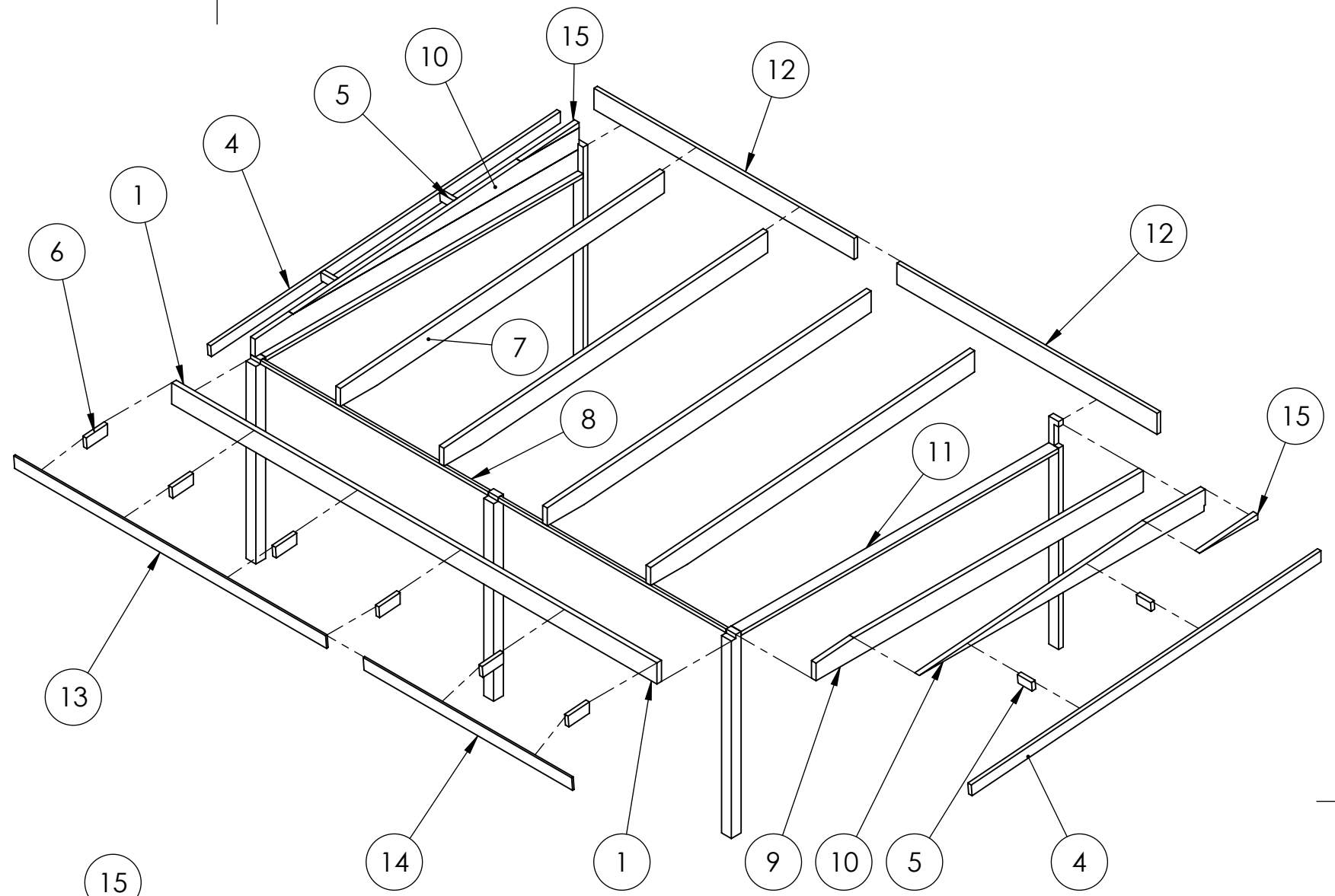
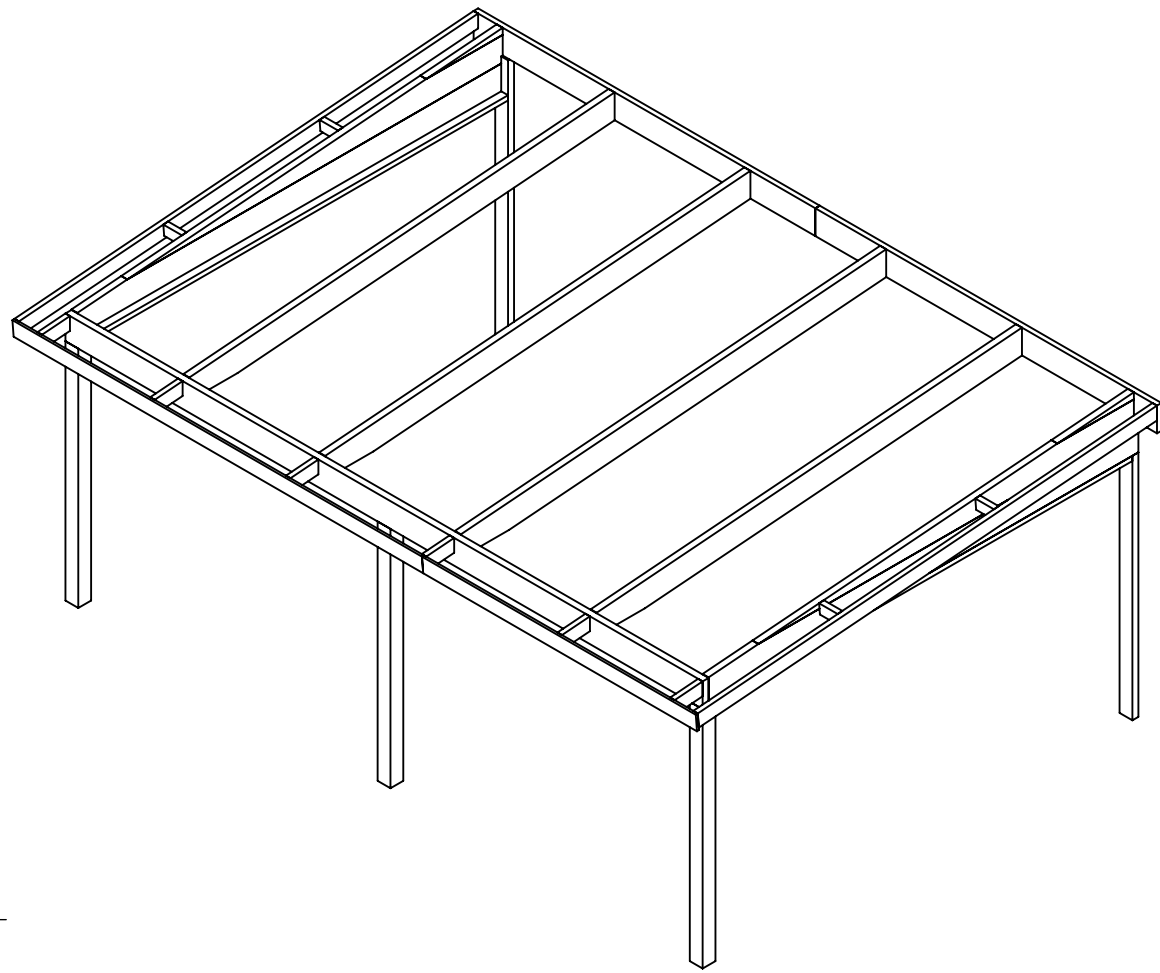
This drawing must not be copied, transmitted or disclosed to any third party.

HALLE




A3

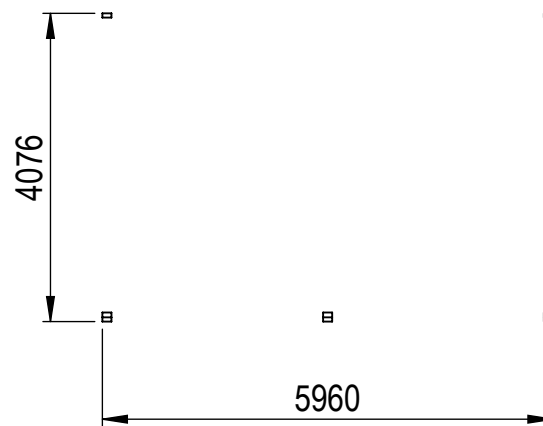
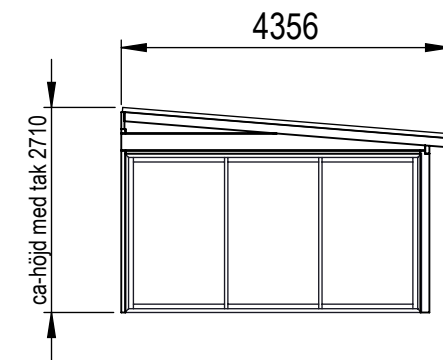
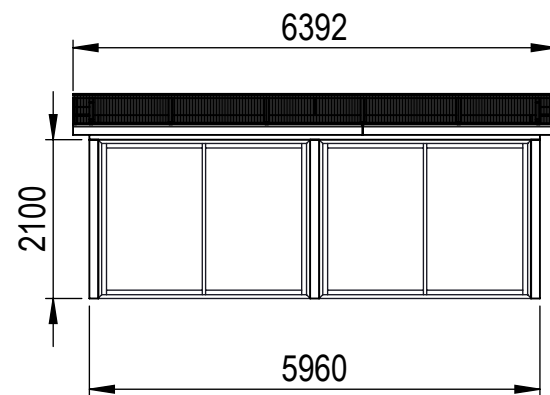
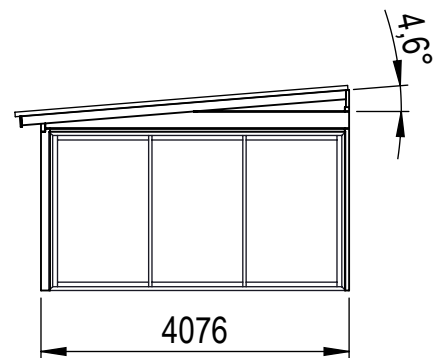
| | |
|------------|------------------------------------|
| Material | |
| Offertnr. | Färg |
| Ordernr. | Beredare Halle System |
| Weight | Datum 2022-05-19 |
| Scale 1:50 | Description Harmony Alltid 25m2 |
| Sheet 2/20 | |



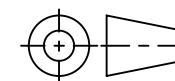
This drawing must not be copied, transmitted or disclosed to any third party.

| | | |
|-------------------------------------------------------------------------------------------------|-------------------|-------------------------------------------|
| <h1>HALLE</h1> | Material | |
| | Offertnr. | Färg |
|  A3 | Ordernr. | Beredare Halle System |
| | Weight | Datum 2022-05-19 |
| | Scale 1:50 | Description Harmony Alltid 25m2 |
| | Sheet 3/20 | |

This drawing must not be copied, transmitted or disclosed to any third party.



HALLE



A3

| | |
|-------------|---------------------------------|
| Material | |
| Offertnr. | Färg |
| Ordernr. | Beredare Halle System |
| Weight | Datum 2022-05-19 |
| Scale 1:100 | Description Harmony Alltid 25m2 |
| Sheet 4/20 | |