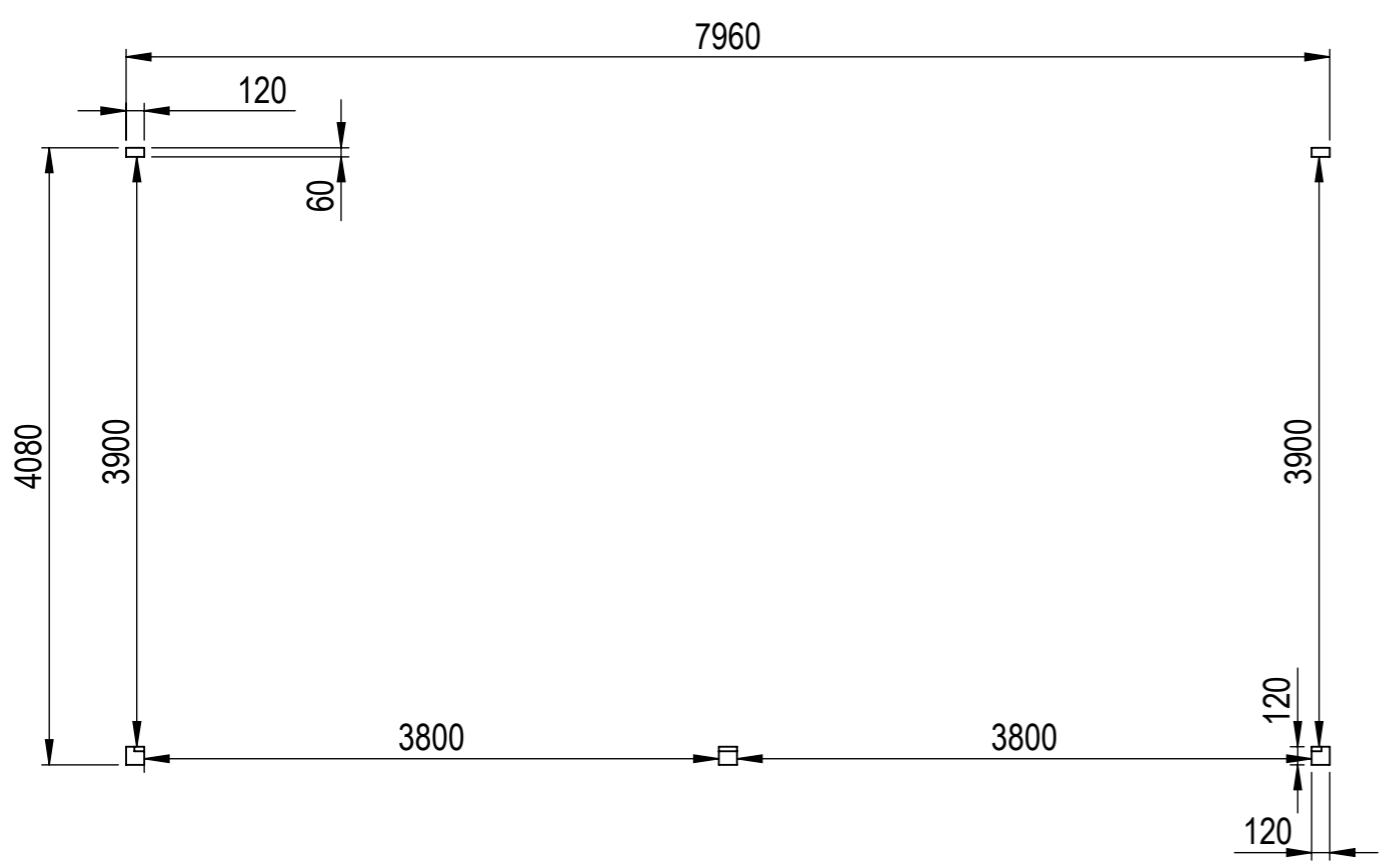
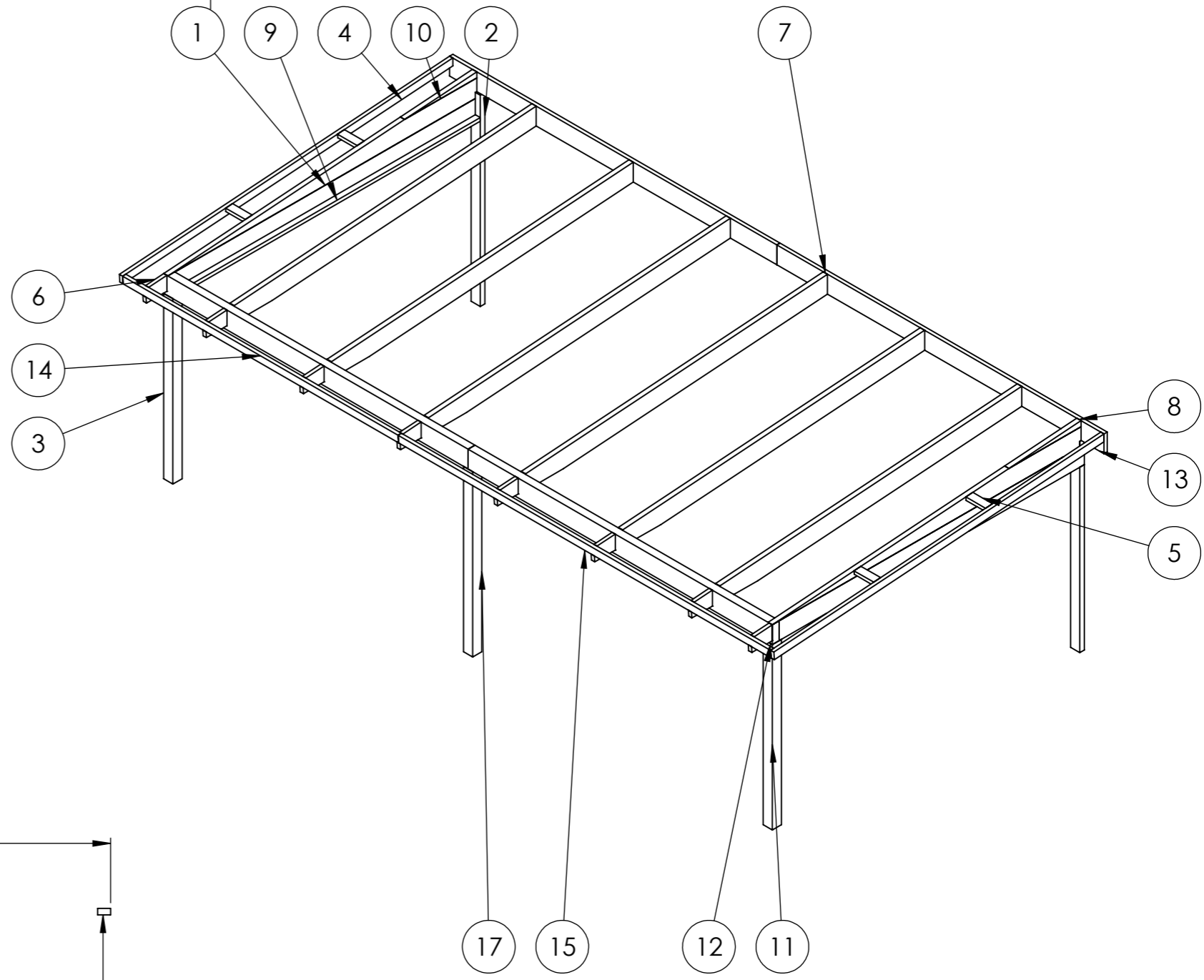

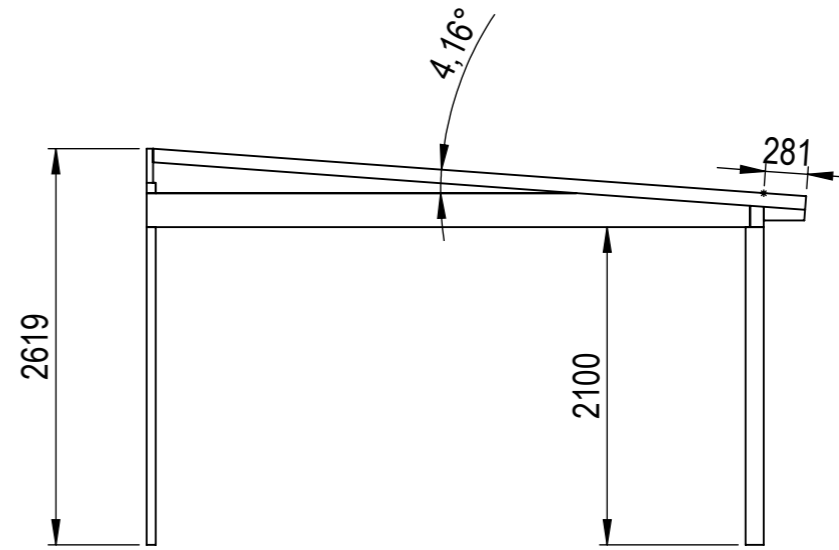
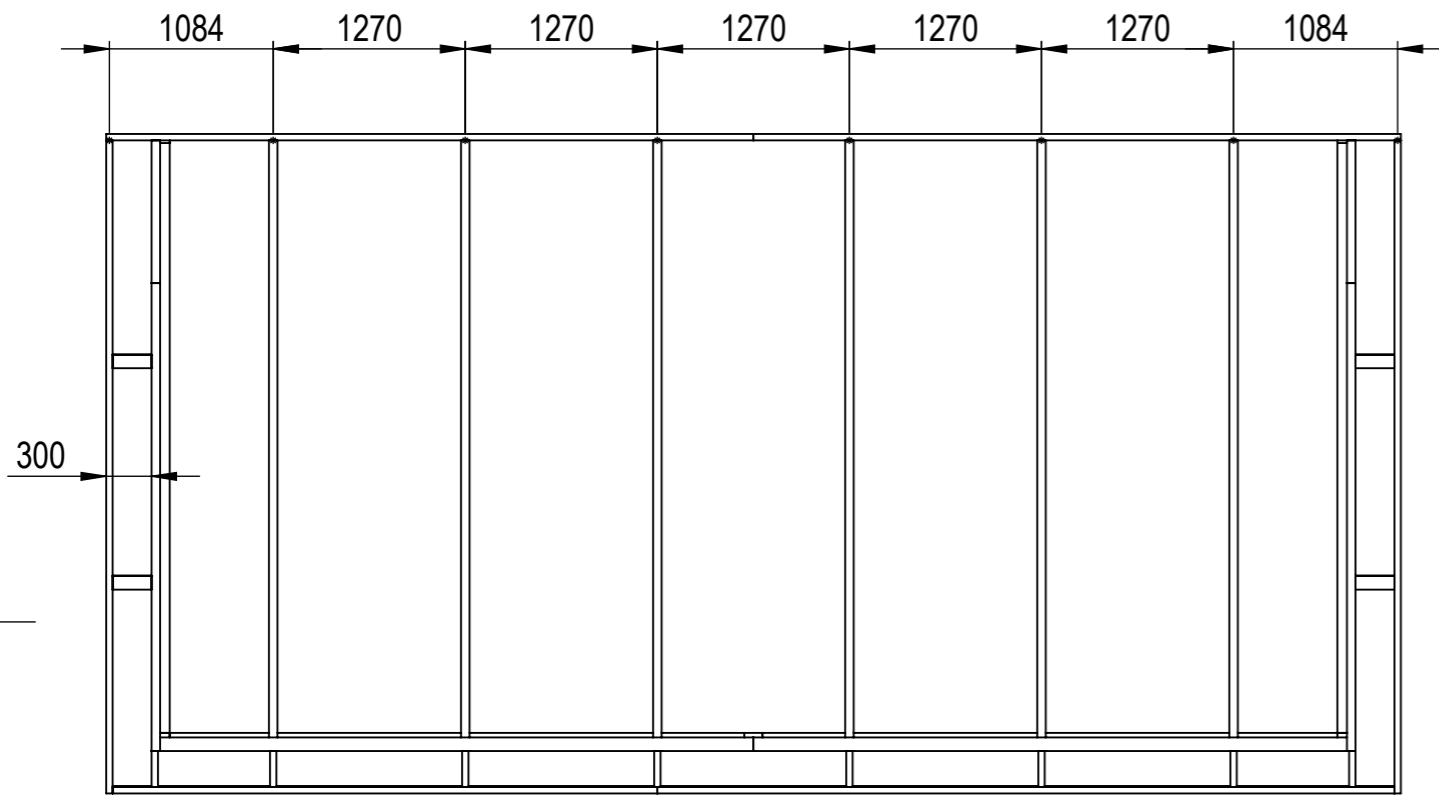


| Nr. | Antal | Beskrivning | Kategori    | Längd    |
|-----|-------|-------------|-------------|----------|
| 1   | 2     | 225x56      | Sidobalk    | 3990     |
| 2   | 2     | 60x120      | Väggpelare  | 2393.698 |
| 3   | 1     | 120x120     | Hörpelare1  | 2142     |
| 4   | 2     | 90x42       | Gavelbalk   | 4329.667 |
| 5   | 4     | 90x42       | Gavelstöd   | 258      |
| 6   | 8     | 180x42      | Taktass     | 281      |
| 7   | 6     | 225x56      | Takbalk     | 3972.179 |
| 8   | 2     | 225x56      | Täckt sida2 | 944.517  |
| 9   | 2     | 90x42       | Breddsats   | 3900     |
| 10  | 2     | 225x56      | Täckt sida2 | 4038     |
| 11  | 1     | 120x120     | Hörpelare2  | 2142     |
| 12  | 2     | 225x90      | Frontbalk   | 3980     |
| 13  | 2     | 225x42      | Väggbalk    | 4280     |
| 14  | 1     | 90x42       | Takfotbalk1 | 3603     |
| 15  | 1     | 90x42       | Takfotbalk2 | 4873     |
| 16  | 2     | 90x42       | Breddsats   | 3800     |
| 17  | 1     | 120x120     | Mittpelare  | 2142     |




This drawing must not be copied, transmitted or disclosed to any third party.

|   |            |  |
|---|------------|--|
|  <b>A3</b> | Material   |  |
|   | Offertnr.  | Färg                                   |
|   | Ordernr.   | Beredare                               |
|   | Weight     | Datum                                  |
|   | Scale 1:50 | Description<br>Uterumssats vinter 33m2 |
|   | Sheet 1/20 |  |



This drawing must not be copied, transmitted or disclosed to any third party.

|   |           |                         |
|---|-----------|-------------------------|
|  <b>A3</b> | Material  |                         |
|   | Offertnr. | Färg                    |
|   | Ordernr.  | Beredare                |
|   | Weight    | Datum                   |
|   | Scale     | 1:50                    |
| Sheet   | 2/20      | Description             |
|   |           | Uterumssats vinter 33m2 |